

Recessed Frame

White - 9.240.646
Black - 9.240.647
Chrome - 9.240.649

Suitable for use with:
All TECE Cisterns

Suitable for the following
TECEnow
TECEloop
TECESquare Glass
TECEvelvet

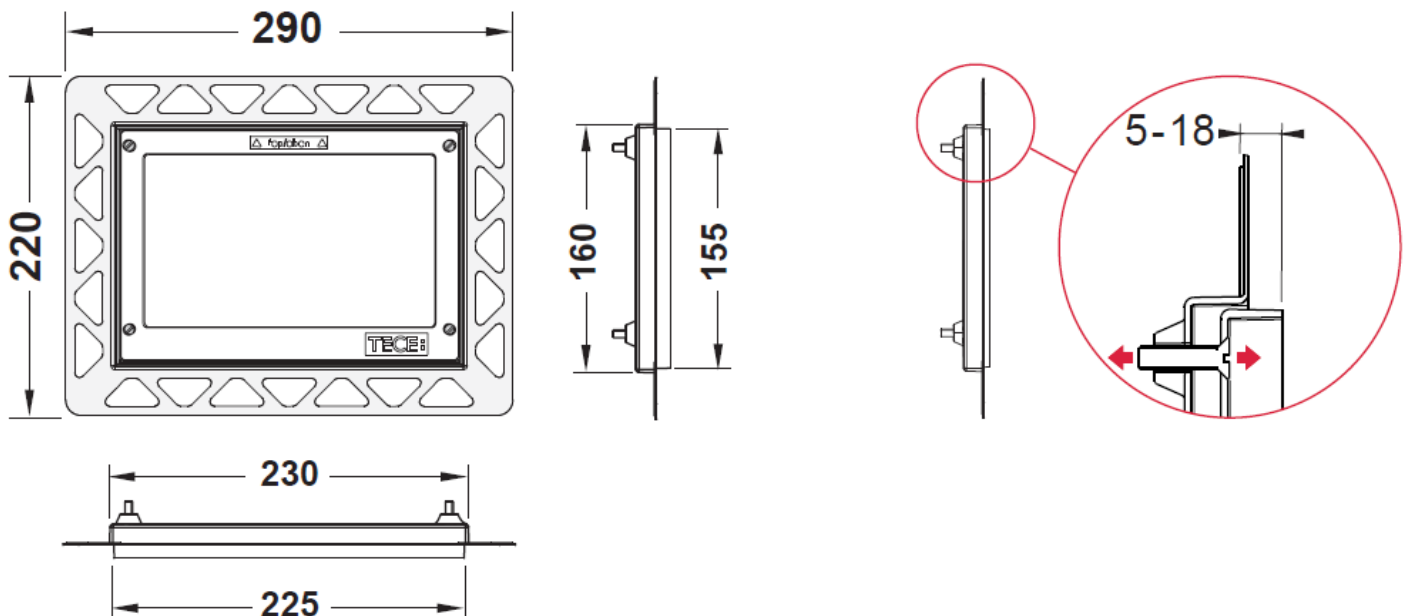
Sheeting Requirements (**Prior to tiling**):
25mm non flex board

Tile Adjustment depth:
5 - 18mm

Note: Flush mount kit **MUST** be installed prior to tiling to achieve flush mount push plate

TECE

close to you



Proudly imported and distributed by
Gro Agencies Pty Ltd
Unit 2 / 37 Howe St, Osborne Park, WA, 6017
P 08 9446 3288 E info@groagencies.com.au W www.groagencies.com.au

gro
agencies